

LAMINARS AND LEAPERS INTRO

Crystal Fountains has been at the forefront of innovative and entertaining water effects for decades. The Laminar and Leaper are two classic sequencing water effects that are always crowd pleasers:

Laminars – create a glass-like rod of water that is perfectly clear and still. When lit from the base unit, the water appears to glow when lit with built-in RGB LED light. Also available with a “Starburst” effect creating traveling “balls” of light.

Leapers – the same glass-like rod of water that’s programmed to “jump”. Makes for playful watching when jumping from one location to another. Can be lit with fiberoptics or with an internal RBG LED light.

132	LAMINARS AND LEAPERS INTRO
134	Electric Leaper Series
137	WMV Series – Starburst Laminar



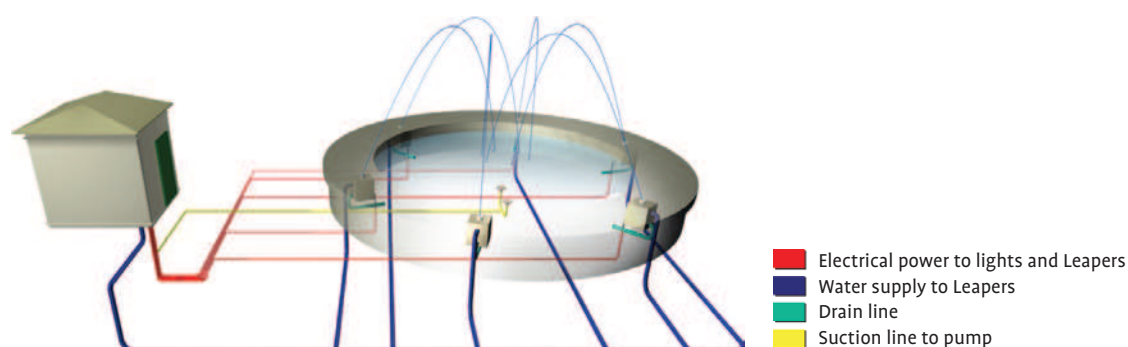
Leaper/Laminar fountains

provide endless entertainment and fascination.

Typical Installation for Fountain

- Nozzles are placed in fountain wall
- Water is pumped to nozzles via pumping station*
- Controllers and sequencing devices make the fountain more entertaining for all audiences.

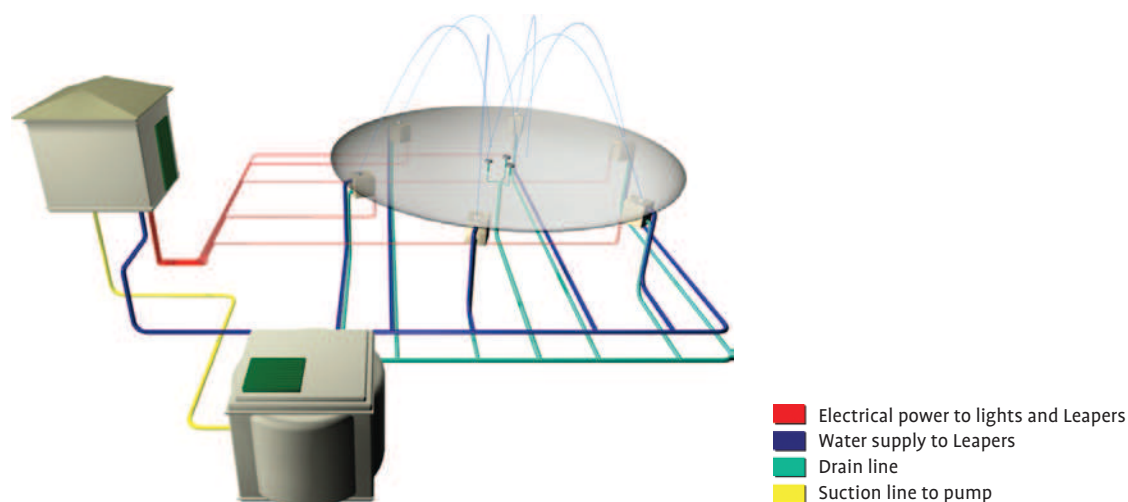
*NOTE: Water quality needs to be monitored for optimum nozzle performance.



Typical Installation for Playdeck

- Nozzles are niche-mounted in a deck surround
- Water drains through the surround into a holding tank
- Water then pumped to nozzles via a pumping station*
- Controllers and sequencing devices make the play experience much more fun.

*NOTE: Water quality needs to be strictly monitored for public safety.



Electric Leaper Series with Fiberoptic or LED Lighting

The Crystal Fountains Electric Leaper produces a 13mm diameter glass-like water rod that creates jumping and leaping effects. Available with three different lighting options – RGB LED, unlit, or with Fiberoptics

Versatile

- Multiple Leapers can produce a wide variety of patterns.
- You can produce multiple heights using a variable speed drive pump.
- The unit can be installed out of water or submerged to maximum water level shown.
- Available with niche or stand alone.

Easy Installation

- Has up to 50° installation adjustment built in
- 3 cable lengths to choose from

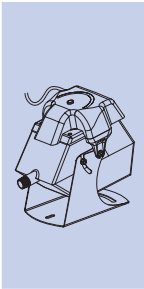
Programmable

- Program water speeds and lengths to create visual interest and entertainment.*

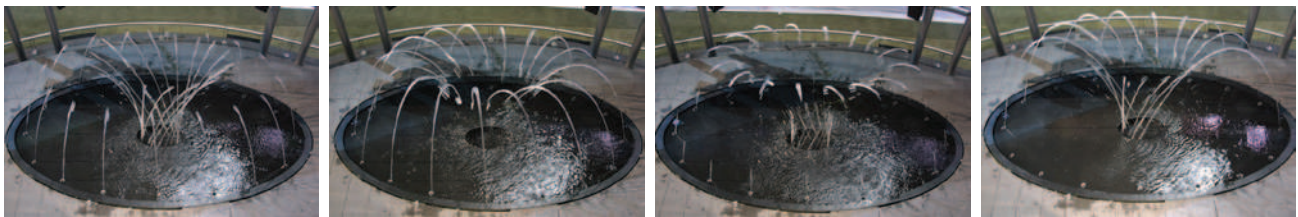
Lighting

- Achieve dynamic color cost-effectively with fiberoptic connections or achieve greater programming versatility with LED lighting that can be individually programmed for unlimited lighting shows.

Which Leaper Do I Need?

1. Choose Your Lighting Effect		No Light or Fiberoptic Lighting		RGB LED Lighting		VISIBILITY	■ ■ □ □ □
2. Choose Your Mounting Type		Free Standing Leaper	Niched Leaper	Free Standing Leaper	Niched Leaper	SOUND LEVEL	■ ■ □ □ □
3. Get Part Number		SWV100	SWV102	LED140	LED141	WIND RESISTANCE	■ □ □ □ □
						SPLASH/MIST	■ □ □ □ □
						EFFICIENCY	■ ■ □ □ □

*Contact Crystal Fountains for detailed specification, installation and operation details.



Made of high-density polyethylene, polycarbonate and stainless steel with 26mm male N.P.T. Solenoid activated via 12VDC. **Water level independent.** CE marking. IP68, submersible rated.

Not all LEDs are created equally! Crystal Fountains LED products produce a high intensity light and deliver perfect optical performance. Also, see Crystal Fountains power/data and controller products to create a complete LED system.

- *For interactive play do not exceed 6 meters per second.
- **A filtered water supply is required (cartridge filter or 50 micron max.)

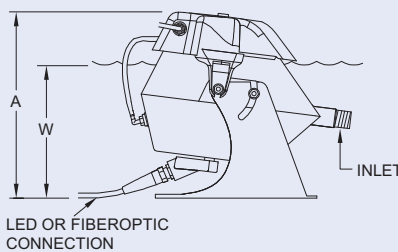
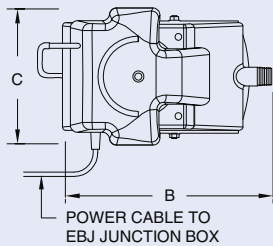
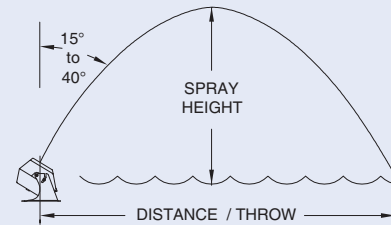
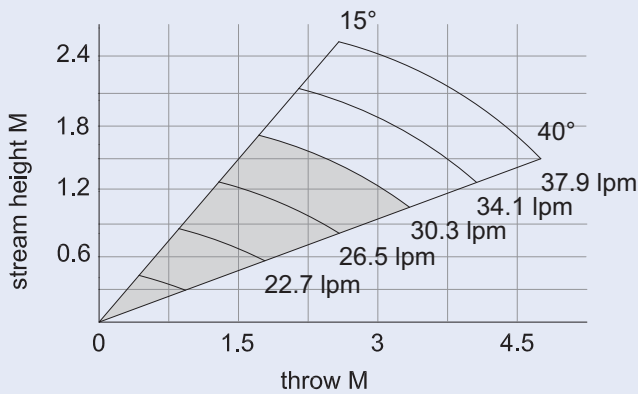
Electric Leaper Series with Fiberoptic or LED Lighting

DIMENSIONS

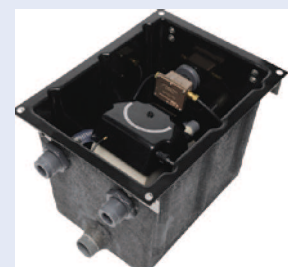
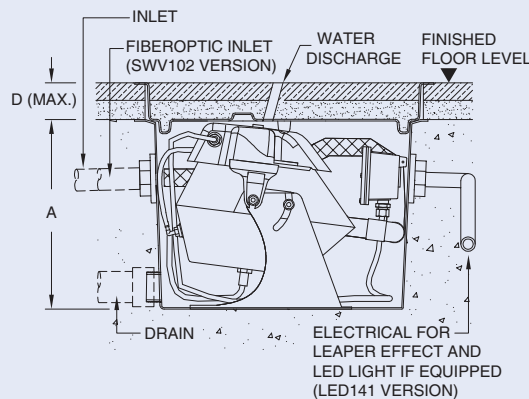
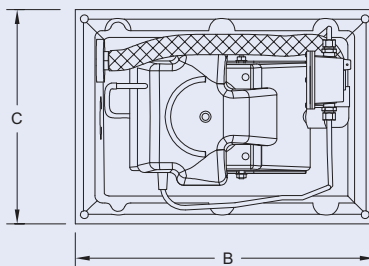
Part No.	Inlet (b.s.p.t.)	a dim. (mm)	b dim. (mm)	c dim. (mm)	w dim. (mm)	Installation	Filtration Required
SWV100 / LED140	1"	343	356	242	216	Residential	50 micron max.
						Commercial	5 micron max.

DIMENSIONS

Part No.	Inlet (b.s.p.t.)	Drain Connection (mm)	a dim. (mm)	b dim. (mm)	c dim. (mm)	d dim. (max) (mm)	Installation	Filtration Required
SWV102 / LED141	1"	51	420	578	432	77	Residential	50 micron max.
							Commercial	5 micron max.



Freestanding Leaper



Niched Leaper

Electric Leaper Series with Fiberoptic or LED Lighting

How to Order

Choose Your No-Light or Fiberoptic Leaper

CHOOSE MOUNTING

Mounting	Part No.
Stand	SWV100
Niche	SWV102

CHOOSE CABLE

Cable for...	Cable Length	Part No.
SWV100 - No Light (Power Cable only)	3 m.	EL CORD100A105
	6 m.	EL CORD100A106
	18 m.	EL CORD100A107
SWV100 - Fiberoptic (Power Cable)	3 m.	EL CORD100A105
	6 m.	EL CORD100A106
	18 m.	EL CORD100A107
SWV100 - Fiberoptic (Fiberoptic Cable)	Fiberoptic Cable 100 Strand (per m.)	EL CORD 8
SWV102	Power Cable and LED Cable is Included with Leaper	

CHOOSE ADDITIONAL OPTIONS

Options	Part No.
Fiberoptic Illuminator (Fiberoptic version only)	CL1505

*Note: To turn SWV100 or SWV102 into Fiberoptic version a Fiberoptic Illuminator and Fiberoptic Cable must be purchased.

Choose Your RGB LED Leaper

CHOOSE MOUNTING

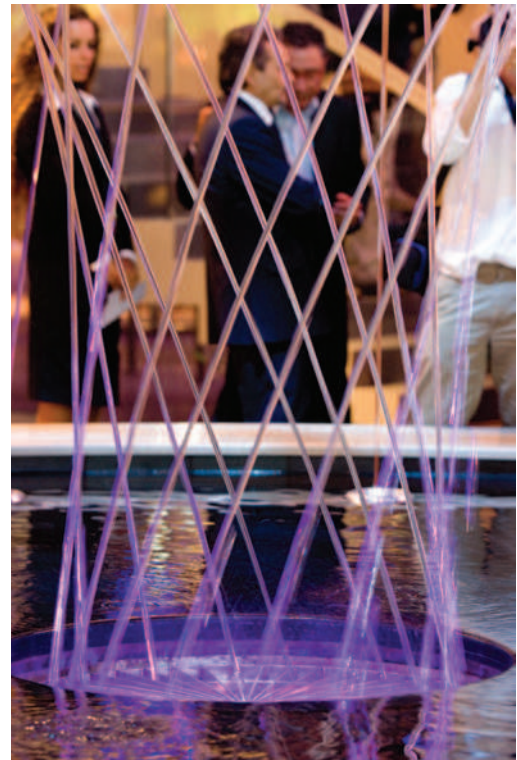
Mounting	Part No.
Stand	LED140
Niche	LED141

CHOOSE CABLE

Cable For...	Cable Length	Part No.
LED140 (Power Cable and LED Cable Kit)	3 m.	EL CORD206
	6 m.	EL CORD208
	18 m.	EL CORD210
LED141	Power Cable and LED Cable is Included with Leaper	

EXAMPLE OF HOW TO ORDER

Quantity	Product	Part No.
1	LED Electric Leaper with Stand	LED140
1	3 m. Cable	EL CORD206



WMV Series – Starburst Laminar

The Crystal Fountains Starburst Laminar is a high-tech illusion. The water is so well controlled it creates a 13mm continuous glass-like rod of water that hits the water virtually sound and splash-free. The Starburst Laminar comes with the Starburst Kit creating a traveling ‘starburst’ light that appears from opening to end of the water stream when connected to a fiberoptic or LED source. This, combined with the built-in light, produces breathtaking light shows with fast programming and an unlimited color palette including white.

Versatile

- Multiple Laminars can produce a wide variety of patterns.
- You can produce multiple heights using a variable speed drive pump.
- The unit can be installed out of water or submerged to maximum water level shown.
- Can be flush mounted in a deck with optional niche.

Easy Installation

- Has up to 50° installation adjustment built in
- 3 cable lengths to choose from (LED model only)

Programmable

- Each LED stream can be individually programmed for unlimited lighting shows

Made of high density polyethylene, ABS, stainless steel and brass with 26mm male n.p.t. LED light 12VDC. Available with an optional niche, lid and animation panel to control lighting. **Water level independent.**

Not all LEDs are created equally! Crystal Fountains LED products produce a high intensity light and deliver perfect optical performance. Also, see Crystal Fountains power/data and controller products to create a complete LED system.

*For interactive play do not exceed 6 meters per second.

**A filtered water supply is required (cartridge filter or 50 micron max.)

**Contact Crystal Fountains for detailed specification, installation and operation details.*

VISIBILITY	■ ■ □ □ □
SOUND LEVEL	■ ■ □ □ □
WIND RESISTANCE	■ □ □ □ □
SPLASH/MIST	■ ■ □ □ □
EFFICIENCY	■ ■ □ □ □



This product (WMV107 only) is available under our Quick Ship program! See page 15 for more details.

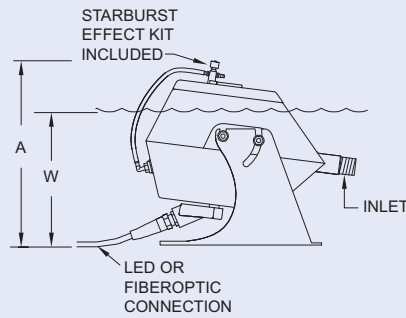
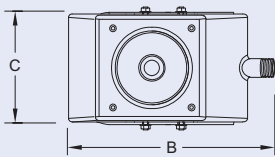
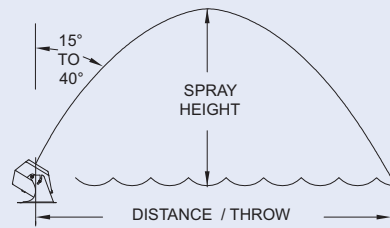
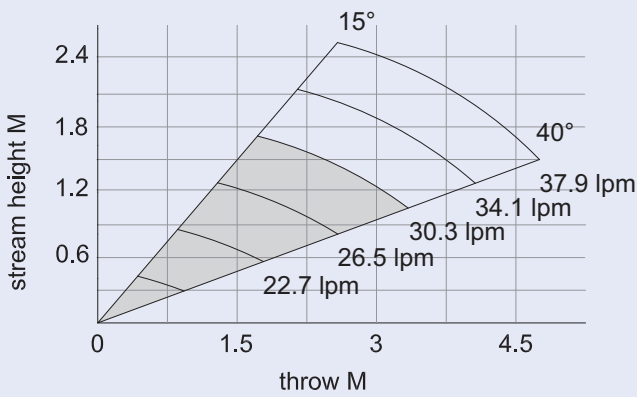


WMV Series – Starburst Laminar

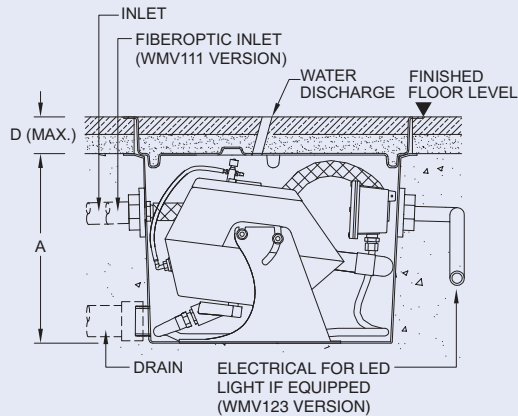
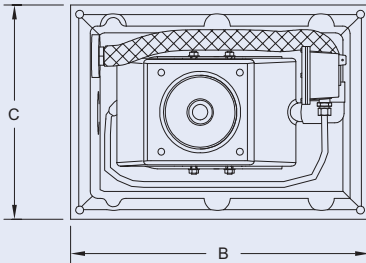
Which Laminar Do I Need?

1. Choose Your Lighting Effect
2. Choose Your Mounting Type
3. Get Part Number

	No Light or Fiberoptic Lighting		RGB LED Lighting	
	Free Standing Laminar	Niched Laminar	Free Standing Laminar	Niched Laminar
	WMV107	WMV111	WMV117	WMV123



Freestanding Laminar



Niched Laminar

WMV Series – Starburst Laminar

DIMENSIONS

Part No.	Inlet (b.s.p.t.)	a dim. (mm)	b dim. (mm)	c dim. (mm)	w dim. (mm)	Installation	Filtration Required
WMV107 / WMV117	1"	280	356	204	216	Residential	50 micron max.
						Commercial	5 micron max.

DIMENSIONS

Part No.	Inlet (b.s.p.t.)	Drain Connection (mm)	a dim. (mm)	b dim. (mm)	c dim. (mm)	d dim. (max) (mm)	Installation	Filtration Required
WMV111 / WMV123	1"	50	420	578	432	77	Residential	50 micron max.
							Commercial	5 micron max.

How to Order

Choose Your No-Light or Fiberoptic Laminar

Choose Mounting

Mounting	Part No.
Stand	WMV107
Niche	WMV111

CHOOSE CABLE

Cable For...	Cable Length	Part No.
WMV107 / WMV111 - No Light	No cable required for no light version	N/A
WMV107 / WMV111 - Fiberoptic	Fiberoptic Cable 100 Strand (per m.)	EL CORD 8

CHOOSE ADDITIONAL OPTIONS

Options	Part No.
Fiberoptic Illuminator (WMV107 and WMV111 only)	CL1505

* Note: To turn WMV107 or WMV111 into fiberoptic version a fiberoptic illuminator must be purchased with cable selection

* Note: Power cable included in all WMV models

Choose Your RGB LED Laminar

CHOOSE MOUNTING

Mounting	Part No.
Stand	WMV117
Niche	WMV123

CHOOSE CABLE

Cable For...	Cable Length	Part No.
WMV117	3 m.	EL CORD34
	6 m.	EL CORD36
	18 m.	EL CORD38
WMV123	Power Cable and LED Cable is Included with Leaper	

EXAMPLE OF HOW TO ORDER

Quantity	Product	Part No.
1	RGB LED Laminar with Niche	WMV117
1	3 m. Cable	EL CORD34